

Type 1279 Duragauge® Pressure Gauge Available With PLUS!™ Performance Option



- **Solid front case design, field convertible to hermetically sealed or liquid filled style**
- **Pressure ranges from vacuum — 30,000 psi**
- **Select from various socket and Bourdon tube materials**
- **Micrometer adjustable pointer**
- **400 Series stainless steel movement wears better for longer life**
- **Teflon-coated pinion for longer life**
- **Patented Duratube™ with as-welded tube construction controls stresses for longer life**
- **PLUS!™ Performance Option:**
 - **Liquid-filled performance in a dry gauge**
 - **Fights vibration and pulsations without liquid-filled headaches**
 - **Order as option XLL**

The Ashcroft® Duragauge® pressure gauge is the finest production gauge on the market for industrial use where precise indications are required. The product line offers a wide variety of case styles, Bourdon tubes and pressure ranges to meet your application needs.

With the component combinations available in the Duragauge gauge line, over ten million variations are possible to serve the needs of all types of industries, including process, power, nuclear, aerospace and cryogenics.

TEMPERATURE LIMITS			
	Ambient	Process	Storage
Dry	-20/200°F ⁽¹⁾ (-29/93°C)	-20/250°F ⁽¹⁾ (-29/121°C)	-40/250°F (-40/121°C)
PLUS!	-40/150°F (-40/66°C)	-40/200°F (-40/93°C)	-40/150°F (-40/66°C)
LF (glycerin)	20/150°F (-7/66°C)	20/150°F (-7/93°C)	0/150°F (-18/66°C)
(silicone)	-40/150°F (-40/66°C)	-40/200°F (-40/93°C)	-40/150°F (-40/66°C)
(halocarbon)	-40/150°F (-40/66°C)	-40/200°F (-40/93°C)	-40/150°F (-40/66°C)

Note: Other than discoloration of the dial and hardening of the gasketing that may occur as ambient or process temperatures exceeds 150°F, non-liquid-filled gauges with standard glass windows, can withstand continuous operating temperatures up to 250°F (121°C). Liquid-filled gauges can withstand 200°F (93°C) but glycerin fill and acrylic window will tend to yellow. Accuracy at temperatures above or below the reference ambient temperature of 68°F (20°C) will be affected by approximately .4% per 25°F. Gauges with welded joints will withstand 750°F (400°C), 450°F (232°C) with silver brazed joints for short times without rupture, although other parts of the gauge will be destroyed and calibration will be lost. For continuous use and for process or ambient temperatures above 250°F (121°C), a diaphragm seal or capillary or siphon is recommended.

(1) Available for temperatures below -20°F (-29°C) see Product Information page ASH/PI-21 for details.

PRODUCT SPECIFICATIONS

Model Number:	1279
Accuracy:	±0.5% of span (Grade 2A, ASME B40.100)
Dial Size:	4½" diameter
Case Type	Solid front safety
Case Material:	Phenolic
Ring:	Threaded, polycarbonate ⁽⁴⁾
Back Cover:	Polycarbonate ⁽⁴⁾
Window:	Standard: glass Optional: acrylic, shatter proof glass
Dial:	Aluminum, white background, black scale
Pointer:	Micrometer adjustable
Movement:	Rotary adjustable
Movement Material:	400 SS, Teflon® coated pinion gear and segment
Weather Protection:	Dry case: IP54 Liquid filled case: IP 66 Hermetic case: IP 66
Bourdon Tube / Socket:	(A) C510 Phos. bronze/brass ⁽¹⁾ (R) 316L SS/steel ⁽²⁾ (S) 316L SS/316L SS ⁽²⁾ (P) Monel 500/ Monel 400 ⁽²⁾
Conn. Size:	¼, ½ NPT (Others see order coding)
Conn. Location:	Lower, back, side, top
Ranges:	Vac., compound to 30,000 psi
Weight:	Dry case: 2.5lbs/1.2kg Liquid filled case: 3.5lbs/1.6kg Hermetic case: 2.5lbs/1.2kg

OPTIONAL FEATURES

Fill:	L-Glycerin-Standard XGV-Silicone-Optional XGX-Halocarbon-Optional
--------------	---

PLUS! Performance:	XLL ⁽³⁾
Hermetically Sealed, IP65:	H
Flush Mounting Ring:	X56
Receiver Gauge:	XPR
Shatter Proof Glass Window:	XSG
Acrylic Window:	XPD
Red Set Hand:	XSH
Maximum Pointer:	XEP

⁽¹⁾ Joints silver brazed

⁽²⁾ Joints welded

⁽³⁾ Not available with silicone filled case (XGV option)

⁽⁴⁾ Meets UL 94V-0

Type 1279 Duragauge® Pressure Gauge Available With PLUS!™ Performance Option

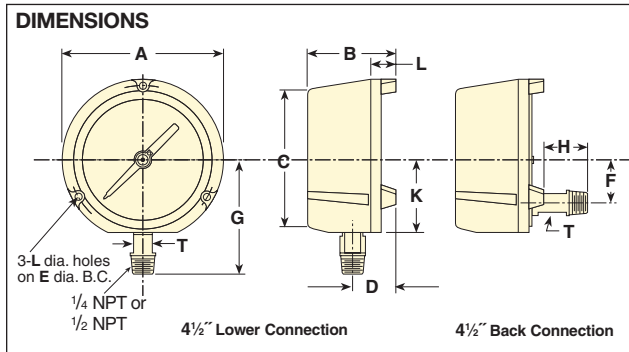
STANDARD RANGE TABLES*

Pressure – psi		
Range	Figure interval	Minor Graduation
0/15	1	0.1
0/30	5	0.2
0/60	5	0.5
0/100	10	1
0/160	20	2
0/200	20	2
0/300	50	2
0/400	50	5
0/600	50	5
0/800	100	10
0/1000	100	10
0/1500	200	20
0/2000	200	20
0/3000	500	20
0/5000	500	50
0/6000	500	50
0/10,000	1000	100
0/20,000	2000	200
0/30,000	5000	200

* Full standard and metric equivalent range table available on our web site.

Compound				
Range	Figure Interval		Minor Grads	
	in Hg	psi	in Hg	psi
30" Hg/15 psi	5	3	0.5	0.2
30" Hg/30 psi	10	5	1	0.5
30" Hg/60 psi	10	10	1	1
30" Hg/100 psi	10	10	2	1
30" Hg/150 psi	10	20	5	2
30" Hg/200 psi	30	20	5	2
30" Hg/300 psi	30	50	5	2

Vacuum		
Range	Figure Interval	Minor Grads
30/0 in. Hg	5 in	0.2 in
34/0 ft H ₂ O	5 ft	0.5 ft

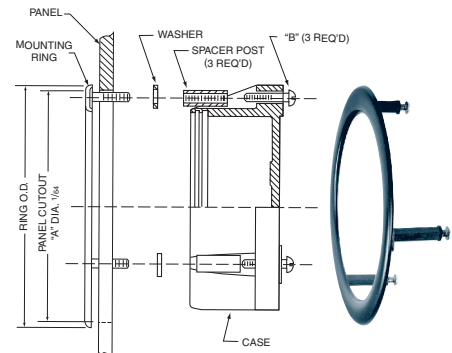


Dial Size Inches	A	B	C	D	E	F	G	H	K	L	T	V	Weight (lbs)
4 1/2	5.81 (147.6)	3.36 (85.3)	5.07 (128.7)	1.06 (40.6)	5.375 (137)	1.62 (41.2)	3.92 (99.6)	.73 (18.4)	2.62 (66.6)	.22 (5.5)	.94 (23.9)	2.625 (67)	2.5 (Dry) 3.5 (L.F.)

TYPE 1278M SERIES FLUSH MOUNTING RING

Used to flush mount gauge case Type 1279(*).S. Standard finish is black; optional polished stainless steel finish is available.

GAUGE SIZE	RING O.D.	"A" DIA.	"B" Size of 3 Screws	"C" Size of Washers
4 1/2	6.000 (152)	5 5/8 (148)	#10-24 x 1 5/8	7/16 x 1 7/64 x 5/8



Order Coding Example

45	1279	S	S	04	L	XEPNH	100	#
----	------	---	---	----	---	-------	-----	---

SIZE	TYPE	SYSTEM (TUBE & SOCKET)	CASE DESIGN SOLID FRONT	PROCESS CONNECTION SIZE	CONNECTION LOCATION	OPTIONS (X VARIATIONS) ⁽¹⁾	RANGE	ENGINEERING UNITS ⁽¹⁾
(45) 4 1/2	1279	(A) Bronze tube, Brass socket ⁽¹⁾ (P) K-Monel 500 tube, Monel 400 socket ⁽²⁾ (R) 316L st st tube, steel socket (S) 316L ⁽²⁾	(S) Dry(IP54) (SH) Dry, Hermetically Sealed, Field Fillable (IP66) (SL) Liquid filled (glycerin standard) (IP66)	(02) 14 NPT male ⁽¹⁾ (04) 12 NPT male ⁽¹⁾ (09) 9/16-18 UNF-2B Aminco (standard for high pressure >20,000psi) ⁽¹⁾ Max pressure 20,000psi	(B) Back (D) Side (3:00) (E) Side (9:00) (L) Lower (T) Top (12:00)	(GV) Silicone case fill (GX) Halocarbon case fill (NH) St. St. Wired Tag (TS) Throttle screw ⁽²⁾ (6B) Oxygen service (PD) Acrylic window ⁽²⁾ (SG) Safety glass (EP) Maximum pointer, adjustable (SH) Red set hand, stationary (LL) PLUS! Performance (56) Flush mounting ring (C4) Individual calibration chart ⁽¹⁾ Others on request ⁽²⁾ Standard with hermetically sealed or liquid filled gauge	See website for most common ranges offered	(#) PSI (BR) Bar (KG) Kilograms/CM2 (KP) Kilopascal (IMV) Inches of Mercury Vacuum ⁽¹⁾ See website for more units of measure